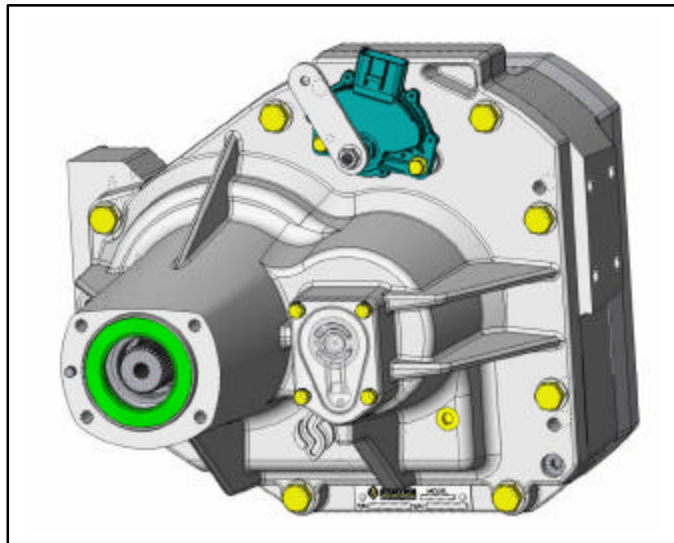




E560 Gearbox Data



Gear Ratio

- Unit provides a single gear reduction ratio of: **2.36:1**

Unit is capable to have different ratios ranging from 1.90:1 to 2.5:1

Operational Data

- Maximum input speed: **9000 rpm**
- Maximum input torque: **560N-m**
- Environmental temperature operating range: **-40 to 60 °C**
- Gearbox meets Ingress Protection standard: **IP67**
- Gearbox includes an integral ratchet type parking pawl that conforms to SAE J293.
- Gearbox and parking pawl is suitable for vehicles with a GVW up to 16,000lbs
- Gearbox transmits torque in both directions.



Interface Data

- Gearbox output will mate with:
Workhorse #: 15713314 (drum assembly)
Workhorse #: W8000557 (brake assembly)
- Gearbox input for Siemens 1PV5138 Electric motor with 30mm input shaft.
- Pressure lubrication system is integral to gearbox unit.
- Input and output shaft has no vertical offset.

